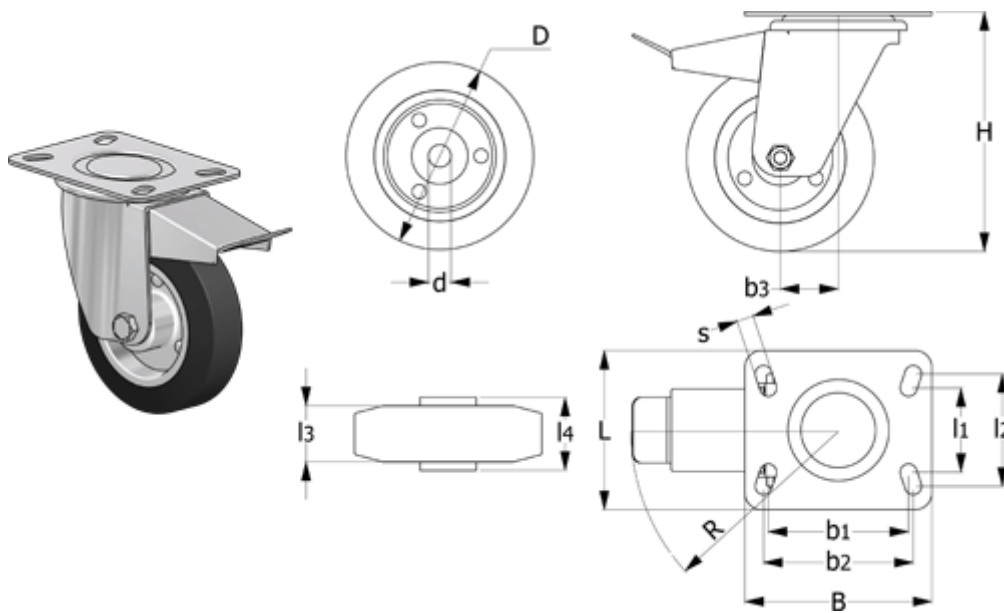


Data Sheet



Article number: 2314450106
 Description: E+G rubber wheel 450106
 RE.E3-100-SBF-N turning plate w/brake

Measures



B	= 100	g = 1000	Rolling resistance (N) = 750
b1	= 75	H = 128	s = 9
b2	= 80	L = 85	Type = RE.E3-100-SBF
b3	= 35	l1 = 45	
Code	= 450106	l2 = 60	
D	= 100	l3 = 30	
d	= 12	l4 = 44	
Dynamic load (N)	= 800	R = 120	